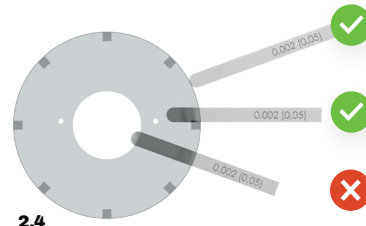


1. Clean the chocking area

Clean all surfaces of the machine feet and foundation that will be in contact with the RotaChock®.

If painted: check if there is only a light coat of primer (no more than 0,05mm or 0,002").



2.4

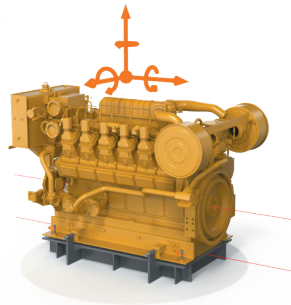
2. Check the chocking area

- 2.1 Check the GAP height, this should be within the adjustment range of the selected RotaChock®
- 2.2 Check the bolt size, this should be within the range of the selected RotaChock®
- 2.3 Check if the RotaChock® does not rock or wobble on the foundation
- 2.4 Check if the RotaChock® passes the feeler gauge test;
- 2.5 Check the contact area. The bottom of the RotaChock® should be supported entirely by the foundation. The thread diameter thus top part of SlimLine should be fully underneath the machine foot.

3. Alignment

Accomplish alignment per machine target requirements for cold alignment, thermal growth and crankshaft deflections using jacking bolts.

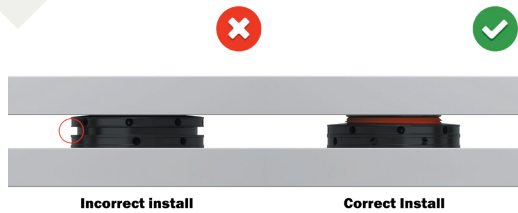
Align the unit 0,05mm or 0,002" above target.



4. Fill the GAP and release the jacking bolts

Place the RotaChock® concentric with the bolt hole. Fit the RotaChock® SlimLine by rotating it clockwise and fill the GAP.

A correct installation should look like this:

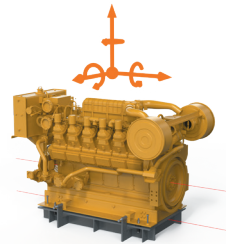
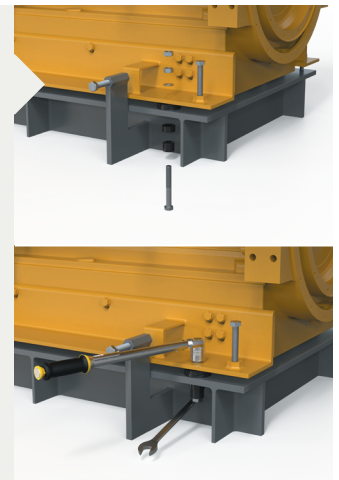


Once all RotaChock® have been installed, release the vertical jacking bolts.

5. Install foundation bolts

Install the foundation bolt and tighten the foundation bolts per the OEM recommended sequence and tightening torque.

Without OEM instructions for tightening sequence and tightening torque, refer to the RotaChock® Information Book.



6. Check final alignment

After tightening all foundations bolts to the required torque, check the final alignment. The alignment should be within the cold alignment target tolerances.

If you need any assistance during installation, contact us via:

info@rotachock.com

+31 (0)10 268 80 18

www.rotachock.com



**ROTACHOCK® SLIMLINE
DIMENSION CHART**



**ROTACHOCK® SLIMLINE
INSTALLATION VIDEO**



**ROTACHOCK®
INFORMATION BOOK**



**ROTACHOCK®
WHATSAPP SUPPORT**